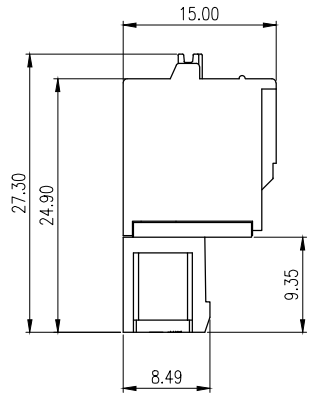
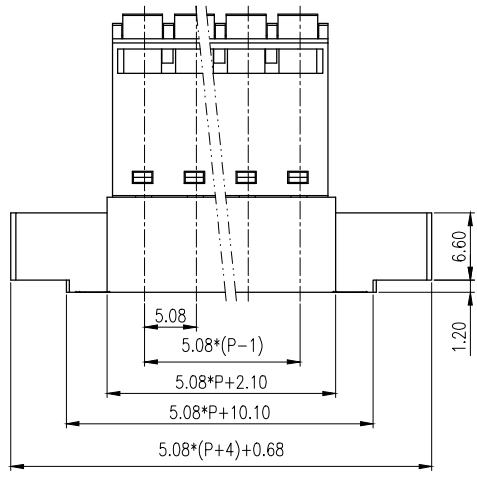
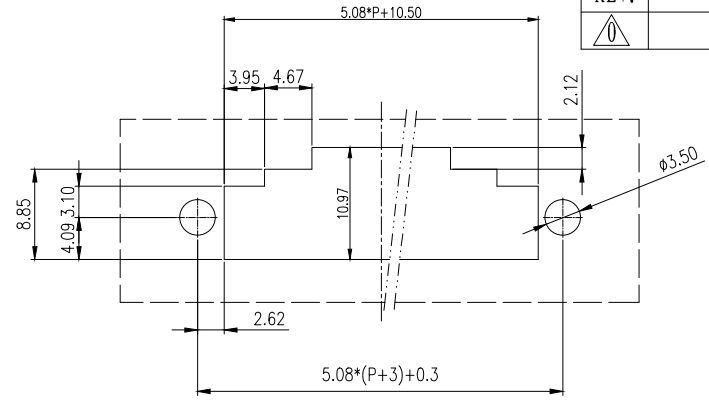
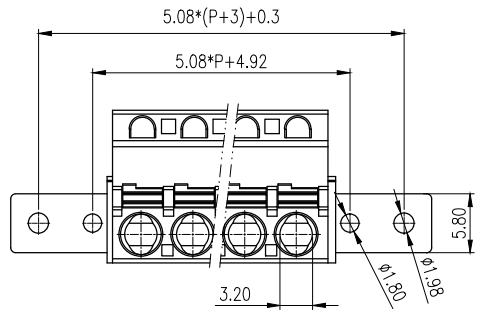


| REVISION RECORD | | | |
|-----------------|---------|------|------|
| REV. | CONTENT | MOD. | DATE |
| ① | 初版发行 | | |

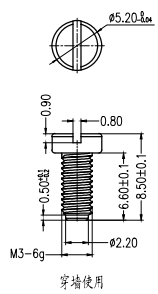


NOTES1:
UL Standard:
1.Voltage Rating: 300V, Current Rating: 10A
2.Suitable Electric Wire: 26-12AWG

NOTES2:
1.Pitch : 5.08mm
2.Withstand Voltage : AC2500V for 1 minute
3.Using Temperature Range : -40℃ ~ +105℃

技术要求1:
UL 标准:
1. 额定电压: 300V, 额定电流: 10A
2. 适用线规: 26~12AWG

技术要求2:
1. 间距: 5.08mm
2. 耐压值: AC2500V/min
3. 使用条件: -40℃~+105℃



| | pitch dimension | | | Nominal dimension | | | | | — / |
|----------------|-----------------|--------------|---------------|-------------------|---------------|----------------|-----------------|---------|--------|
| | over 0 to 6 | over 6 to 10 | over 10 to 24 | over 0 to 30 | over 30 to 60 | over 60 to 100 | over 100 to 150 | 0.05/10 | |
| variable range | 0 to 6 | 6 to 10 | 10 to 24 | 0 to 30 | 30 to 60 | 60 to 100 | 100 to 150 | 0.05/10 | |
| Tolerance | ±0.1 | ±0.15 | ±0.25 | ±0.2 | ±0.3 | ±0.5 | ±0.7 | ±1.0 | |

| | | | | | |
|--|------------------|--------------|----------|----------|--|
| 7 | LZ1HM-7.62耳朵螺母 | SM00B300000V | 2 | 黄铜 | |
| 6 | LZ1-耳朵螺母 | SM00B250000V | 2 | 黄铜 | |
| 5 | LC60-5.08五金件 | 2083B0001AV | P | 磷青铜 | 镀锡 |
| 4 | LC6-5.08-弹片 | F2A0DLC658BV | P | 不锈钢 | |
| 3 | LC6-5.08-按钮 | 1020D0Y01AV | P | POM | |
| 2 | LC60MGC1-5.08-盖板 | 2098C0YXXAV | 1 | PA66-V0 | |
| 1 | LC6-5.08-本体 | 1020A0YXXAV | 1 | PA66-V0 | |
| NO. | NAME OF PART | NO. OF PART | Q'TY | MATERIAL | NOTES |
| DES. | CMZ | DATE | 25/06/06 | UNITS | MM |
| CHK. | | DATE | | SIZE | A4 |
| APP. | | DATE | | SCALE | 1:1 |
| | | | | DWG NO. | SP-2-208302 |
| | | | | REV: | V0 |
| 上海联捷电气有限公司 Shanghai Elinker Electric Co., LTD | | | | TITLE | LC60MGC1-5.08-XXP-1Y-00A LC60MGC1-5.08-成品 |